

Thread-Lock® ST® Fiber Optic Connector

APPLICATION

Field termination of singlemode and multimode fiber optic cable.

FEATURES

- Connector may be removed and reused.
- No epoxy or special crimp tools required.
- No heat cure devices required.
- Connector is appropriate for permanent or temporary applications.
- Termination time is approximately 2 minutes.
- Installation instructions and tightening tool are included in each box of 50 connectors.

STANDARDS COMPLIANCE

Meets or exceeds all applicable standards. Complies with TIA/EIA-568-B; and meets FCC Part 68. Meets industry standards for performance and strength.

PHYSICAL SPECIFICATIONS

Fiber Size:	Singlemode: 9/125 micron. Multimode: 50/125 micron or 62.5/125 micron
Materials:	Body: Nickel plated brass. Ferrule: Pre-radiused zirconia ceramic
Temperature Range:	0°/+60° centigrade
Loss Specification:	.2dB typical
Mounting:	Bayonet w/ coupling nut

DESIGN CONSIDERATIONS

- Reusable compression type retention-no epoxy or UV curing.
- Multiple mating / fully intermateable.
- Applicable to 3 mm, 900 micron, & 250 micron cable.
- Insertion loss typical at .2dB per mated pair.
- Recommended for indoor use.

WARRANTY INFORMATION

For a copy of Leviton product warranties, log on to www.levitonvoicedata.com/warranty.

See ELECTRONIC FILES for CAD files (.DXF, .DWG, MS-DOS.EPS) on disk



For ELECTRONIC Typical Specs see (.TXT) file on disk.

TYPICAL SPECIFICATION

Fiber optic connectors shall be "ST" type with a metal body, coupling nut and ceramic ferrule. The connectors shall be field installable and require no epoxy, heat cure devices or special crimp tools to facilitate the termination of the fiber. The connector's design shall allow for removal and re-termination, of the same connector to reduce material waste. The connector meets all applicable TIA/EIA standards for fiber optic connector reliability and intermateability.



For Technical Support Call 1-425-485-4288; in USA call 1-800-824-3005.
Spec sheets and updates are also available at www.levitonvoicedata.com.

2222 - 222nd St. SE • Bothell, WA 98021 USA
Tel: 1-800-722-2082 / 1-425-485-4288 • Fax: 1-425-483-5270 • Int'l Fax: 1-425-485-9170 • GSA Schedule Available.



Thread -Lock® ST® Fiber Optic Connector

Part Numbers
49882-MST
49882-SST
49886-CCT

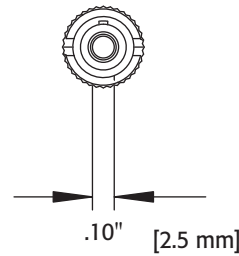
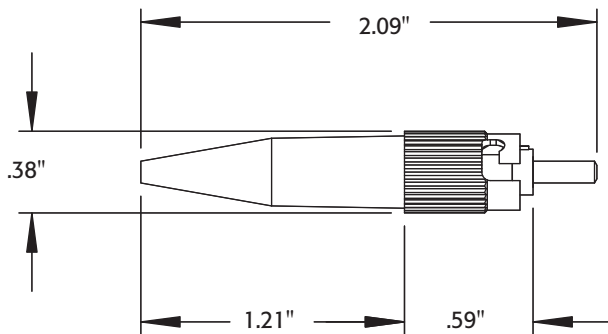
.....

DIMENSIONAL LINE ART

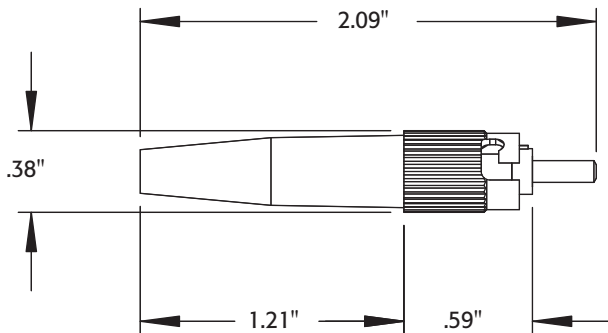
See ELECTRONIC FILES for CAD images
 (.DXF, .DWG, MS-DOS.EPS)

Side View, w/ 3mm boot

Front View



Side View, w/ 900µm boot



PART NUMBERS

Description	Part No.
ST Singlemode Thread-Lock Connector	49882-SST
ST Multimode Thread-Lock Connector	49882-MST
Combined ST/SC Tightening Tool	49886-CTT

NOTE: Both singlemode and multimode connectors come with a 3 mm and 900µm boot.



For Technical Support Call 1-425-485-4288; in USA call 1-800-824-3005.
 Spec sheets and updates are also available at www.levitonvoicedata.com.



2222 - 222nd St. SE • Bothell, WA 98021 USA • Tel: 1-800-722-2082 / 1-425-485-4288 • Fax: 1-425-483-5270 • Int'l Fax: 1-425-485-9170 • GSA Schedule Available.