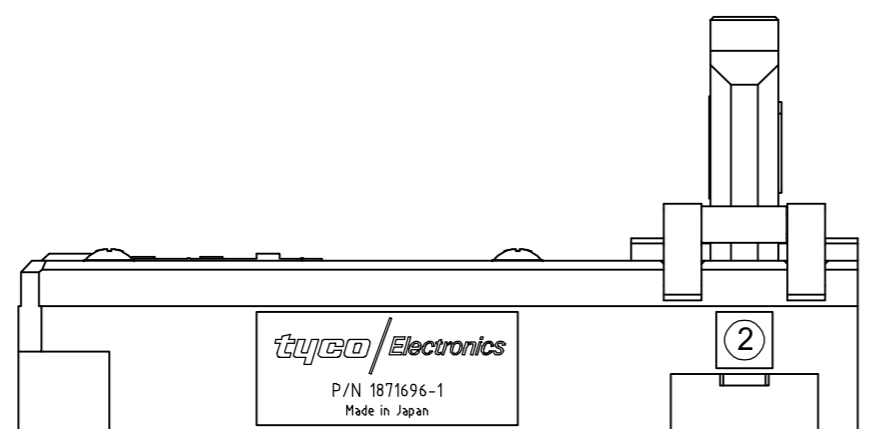
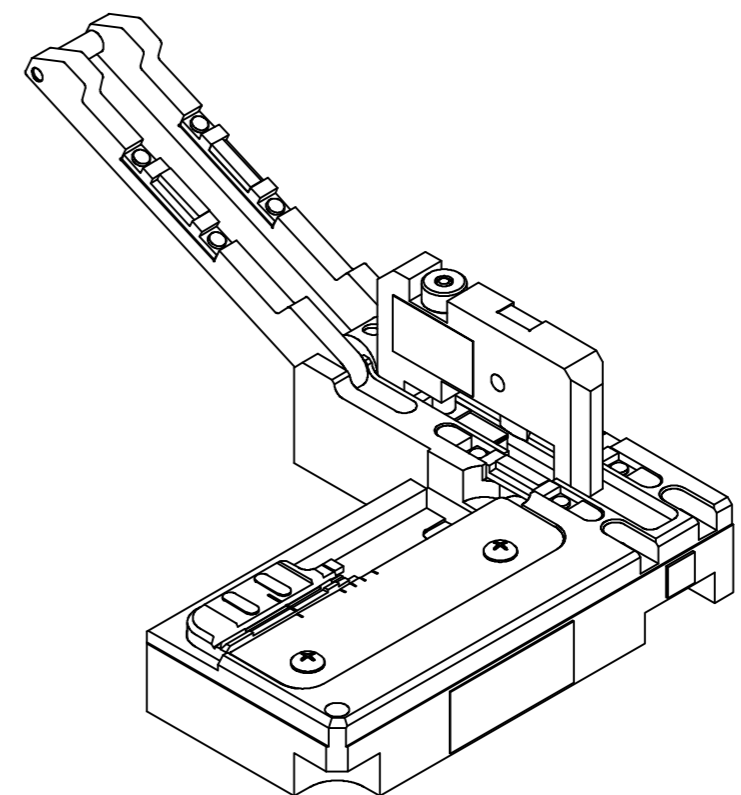
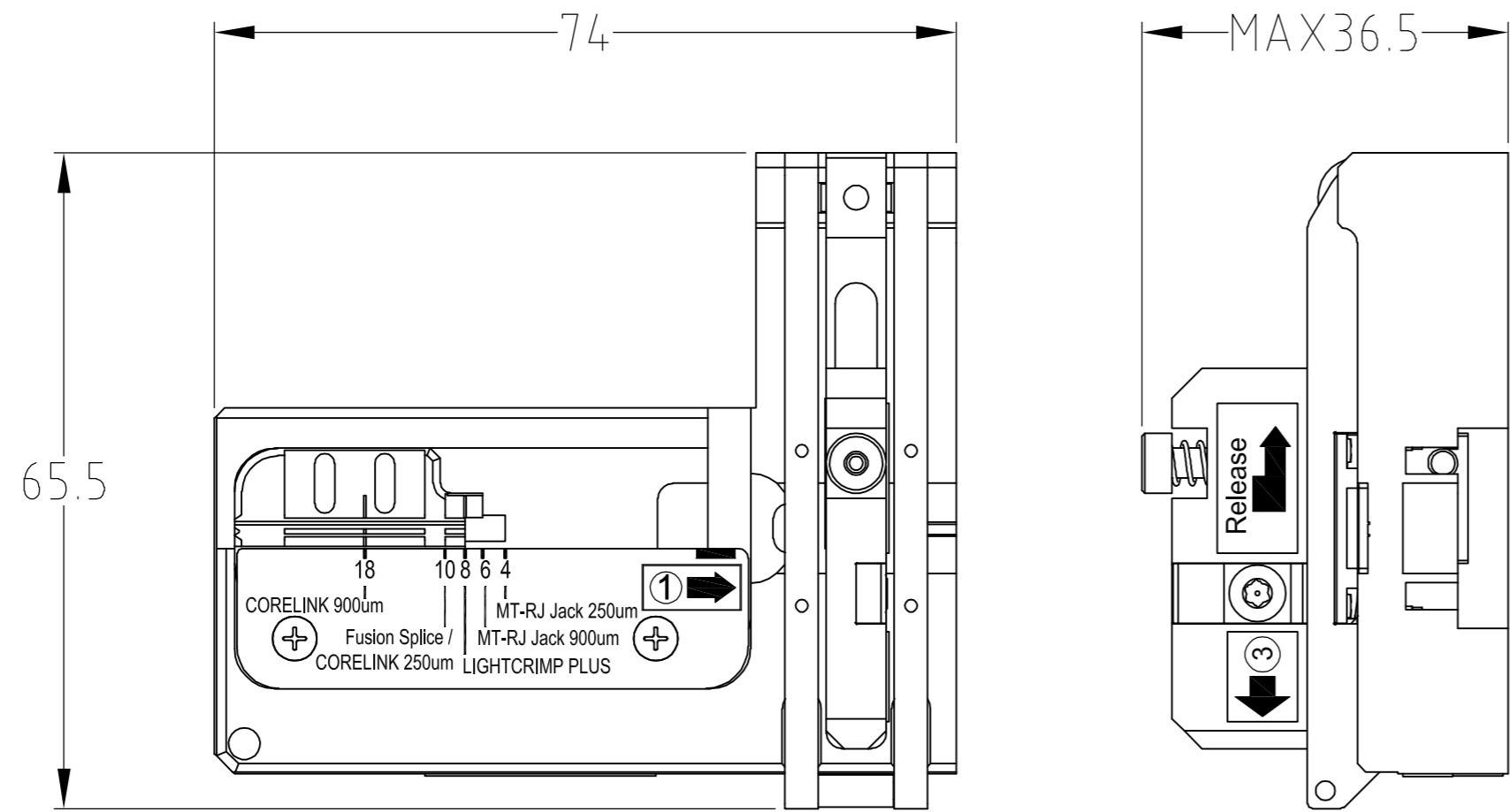


THIS DRAWING IS UNPUBLISHED. RELEASED FOR PUBLICATION JULY .7 .
 © COPYRIGHT 2005 BY TYCO ELECTRONICS CORPORATION. ALL RIGHTS RESERVED.

| LOC | DIST | REVISIONS | | | |
|-----|------|----------------------|----------|-----|------|
| P | LTR | DESCRIPTION | DATE | DWN | APVD |
| | B1 | REVISE ECR-06-013704 | 14JUNE06 | S.K | T.H |
| | C | REVISE ECR-06-022150 | 26SEP06 | S.K | T.H |
| | D | REVISE ECR-07-005111 | 8MAR07 | S.K | T.H |



- 1. ATTACHED A FABRIC BAG AND A STRAP
- 2. WEIGHT OF -1: 152g

SHOWN: -1

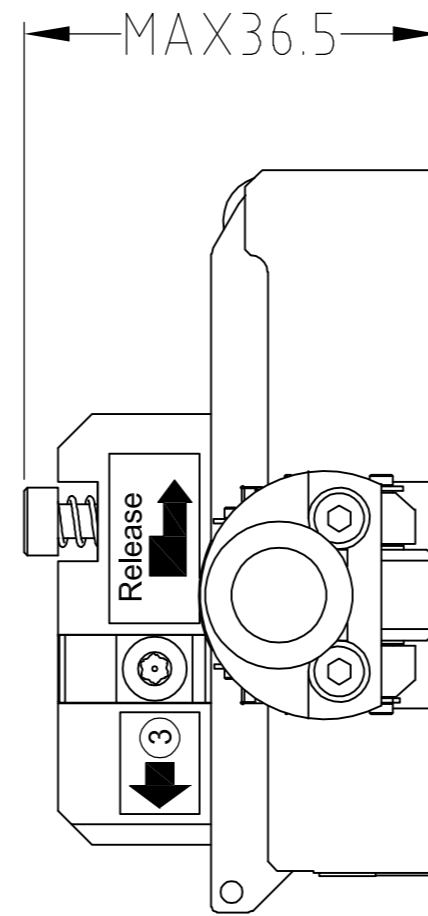
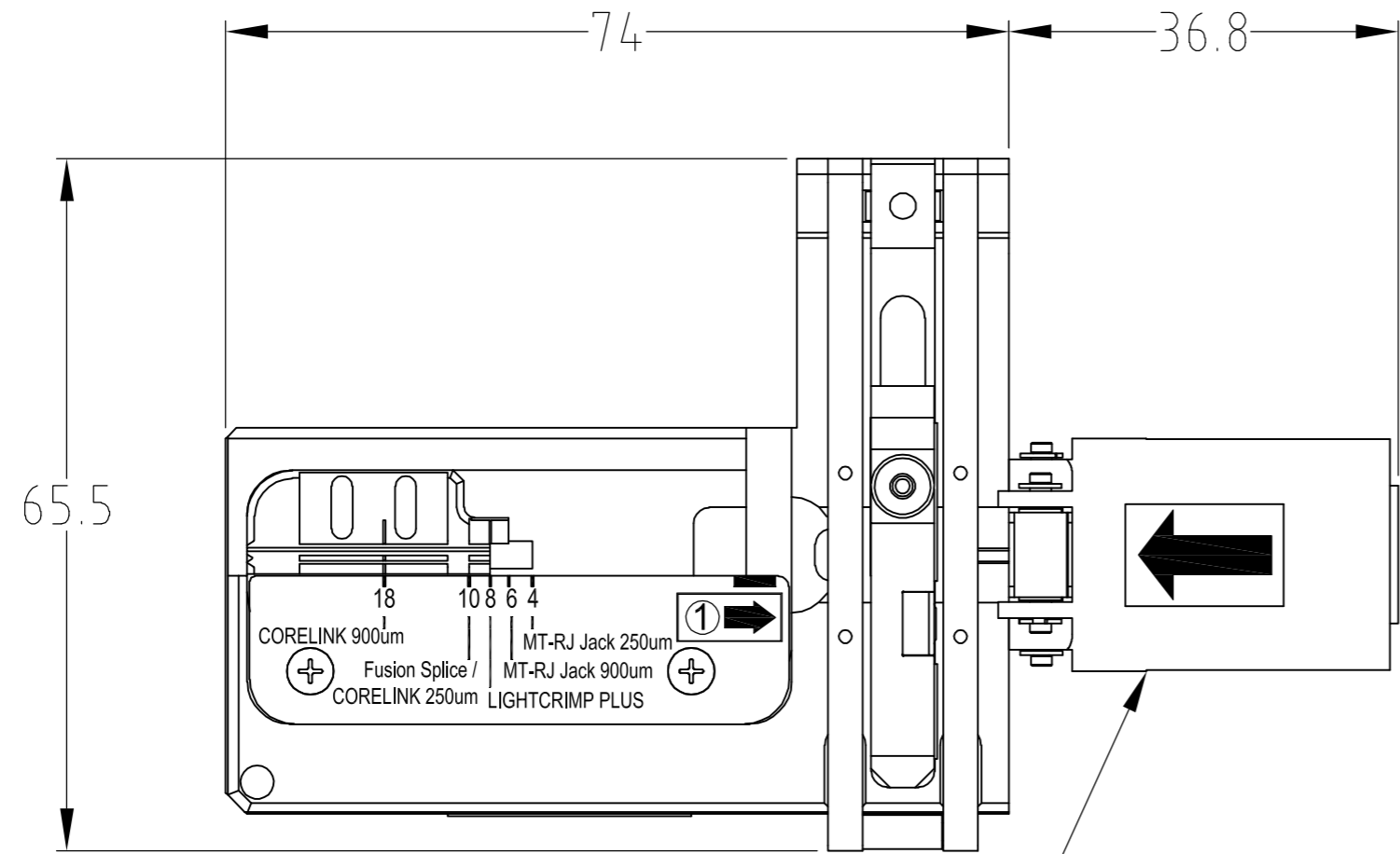
| DESCRIPTION | PART NO |
|------------------------------------|-----------|
| FIBER CLEAVER, 8mm MARK | 1871696-4 |
| FIBER CLEAVER JACKETED CABLE | 1871696-3 |
| FIBER CLEAVER WITH FIBER SCRAP BOX | 1871696-2 |
| FIBER CLEAVER | 1871696-1 |

| | | | | |
|--|--|-------------------------|--|--|
| THIS DRAWING IS A CONTROLLED DOCUMENT. | | DWN S.KOBAYASHI 07JUL05 | Tyco Electronics AMP K.K. Kawasaki, Japan | |
| DIMENSIONS: mm | | CHK T.HAYASHI 07JUL05 | NAME FIBER CLEAVER | |
| TOLERANCES UNLESS OTHERWISE SPECIFIED: | | APVD T.HAYASHI 07JUL05 | PRODUCT SPEC | |
| 0 PLC ± | | APPLICATION SPEC | | |
| 1 PLC ± | | SIZE A2 | | |
| 2 PLC ± | | CAGE CODE 00779 | | |
| 3 PLC ± | | DRAWING NO C=1871696 | | |
| 4 PLC ± | | RESTRICTED TO | | |
| ANGLES ± | | SCALE NTS | | |
| FINISH | | SHEET 1 OF 4 | | |
| MATERIAL | | REV D | | |
| WEIGHT | | CUSTOMER DRAWING | | |

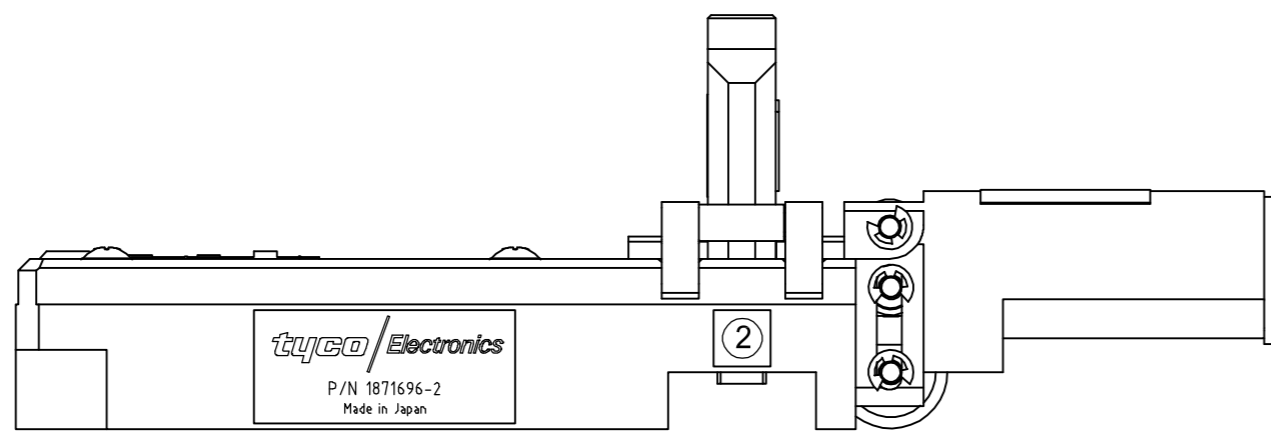
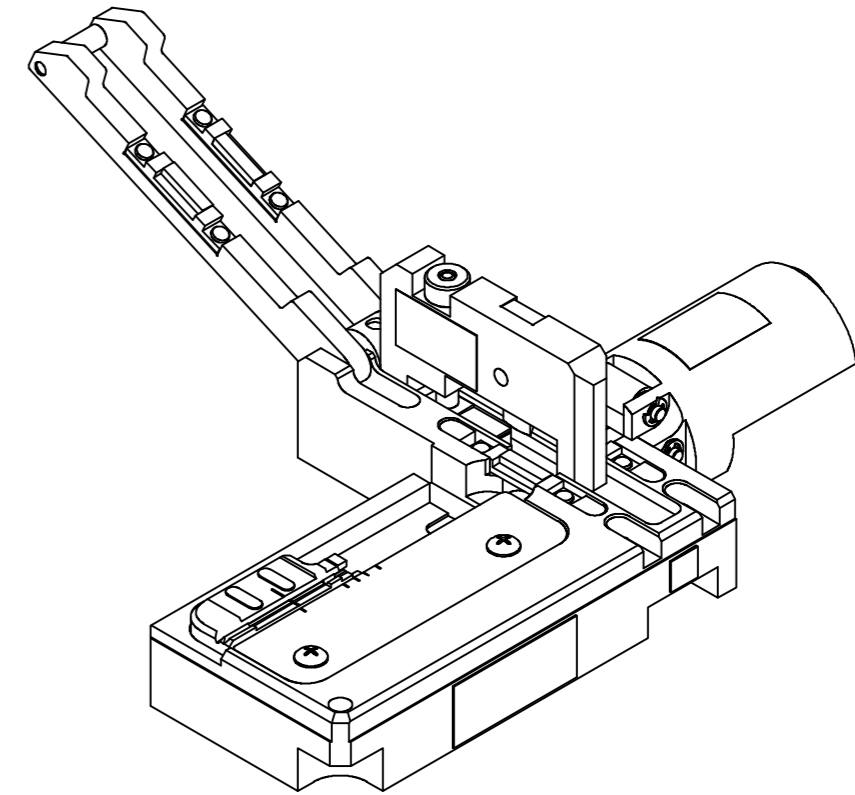
THIS DRAWING IS UNPUBLISHED. RELEASED FOR PUBLICATION JULY .7 .
 © COPYRIGHT 2005 BY TYCO ELECTRONICS CORPORATION. ALL RIGHTS RESERVED.

| LOC | DIST | REVISIONS | | | |
|-----|------|-------------|------|-----|------|
| P | LTR | DESCRIPTION | DATE | DWN | APVD |
| J | | SEE SHEET 1 | | | |

SHOWN: -2



FIBER SCRAP BOX



1871696

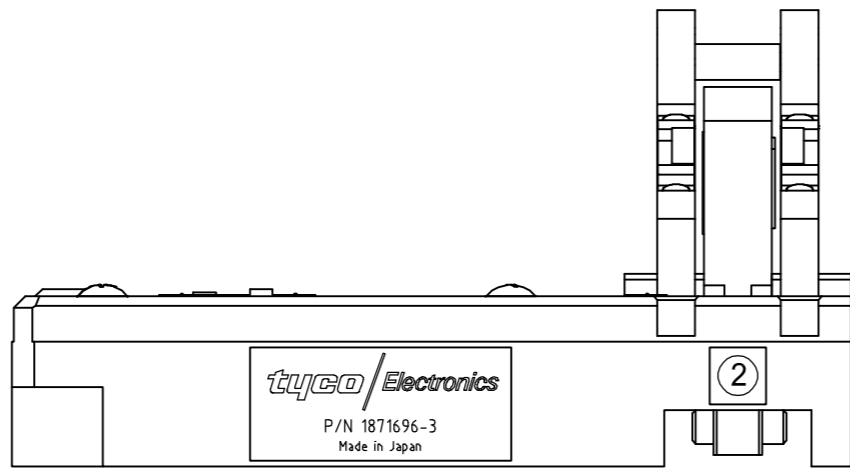
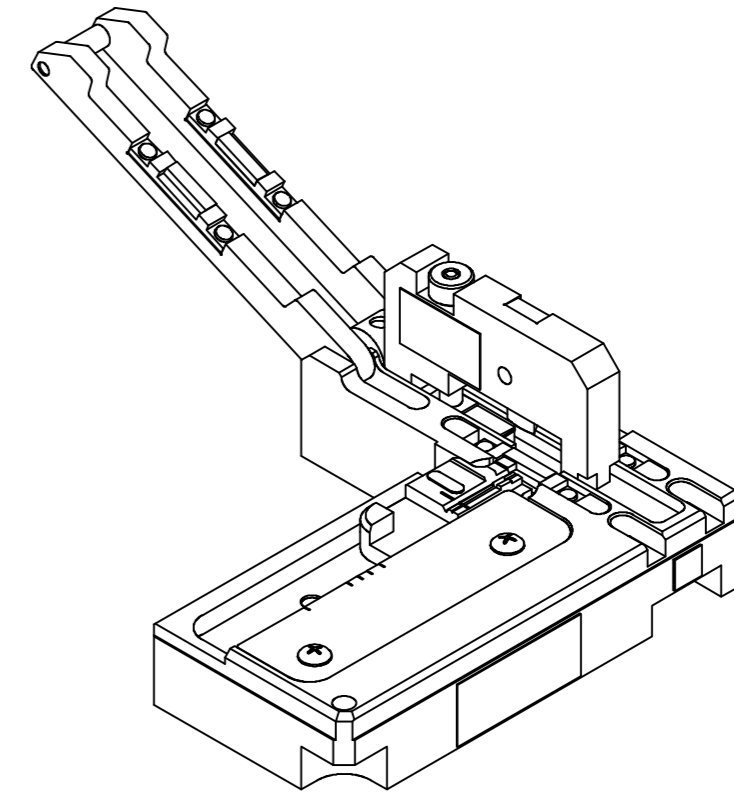
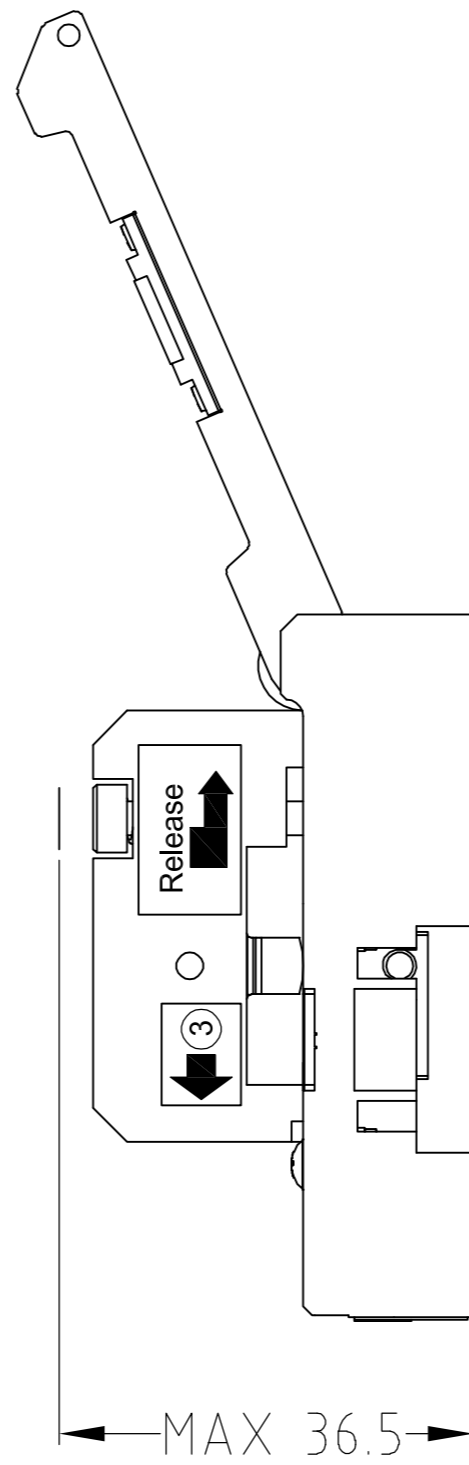
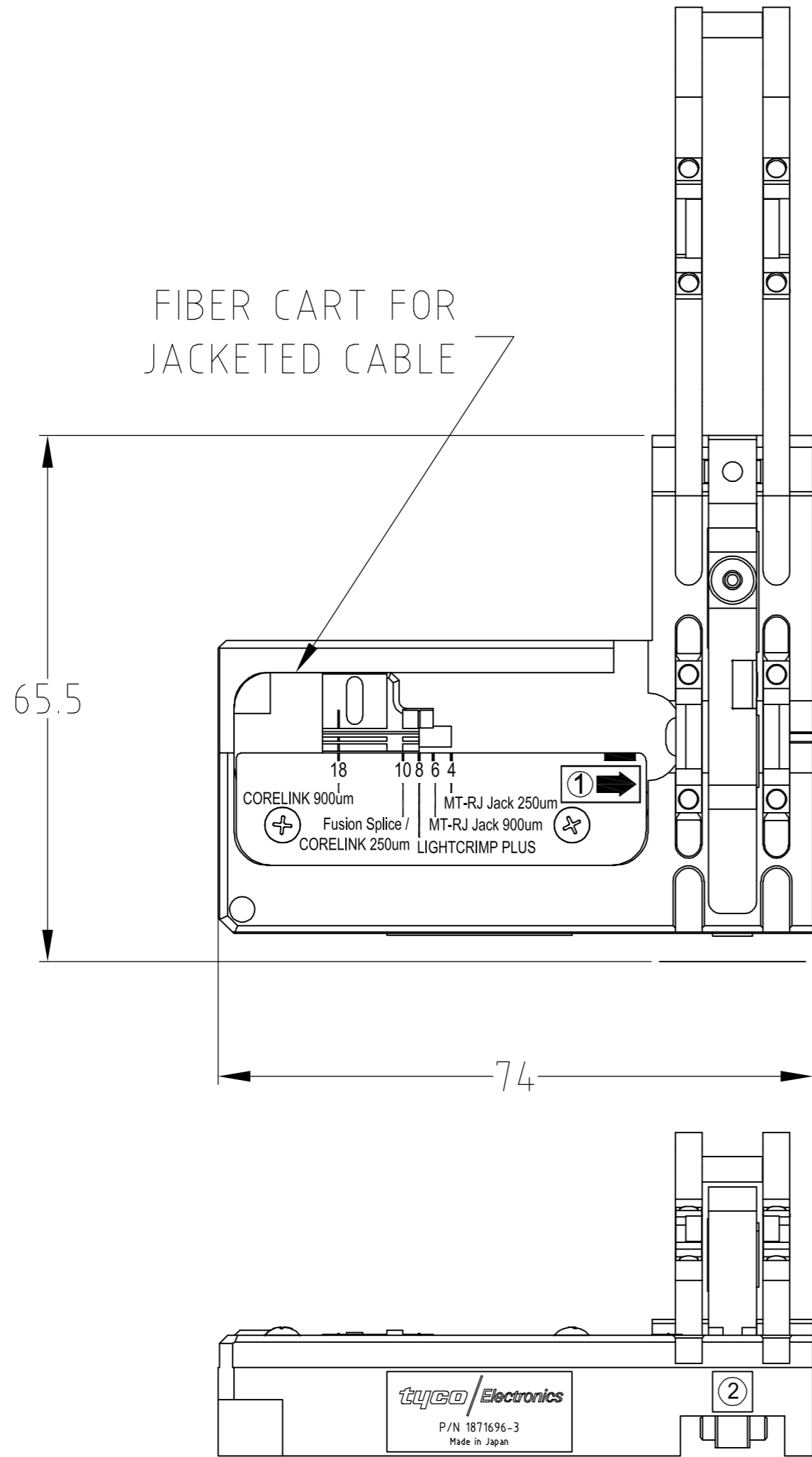
| | | | | |
|--|--|--|---|--|
| THIS DRAWING IS A CONTROLLED DOCUMENT. | | DWN S.KOBAYASHI 07JUL05 | tyco Electronics Tyco Electronics AMP K.K. Kawasaki, Japan | |
| DIMENSIONS: mm | | CHK T.HAYASHI 07JUL05 | NAME FIBER CLEAVER | |
| TOLERANCES UNLESS OTHERWISE SPECIFIED: | | APVD T.HAYASHI 07JUL05 | PRODUCT SPEC | |
| 0 PLC ± | | APPLICATION SPEC | | |
| 1 PLC ± | | WEIGHT | | |
| 2 PLC ± | | SIZE A2 CAGE CODE 00779 DRAWING NO C=1871696 RESTRICTED TO | | |
| 3 PLC ± | | SCALE NTS SHEET 2 OF 4 REV D | | |
| 4 PLC ± | | CUSTOMER DRAWING | | |
| ANGLES ± | | | | |
| FINISH | | | | |

THIS DRAWING IS UNPUBLISHED. RELEASED FOR PUBLICATION JULY .7 .
 © COPYRIGHT 2005 BY TYCO ELECTRONICS CORPORATION. ALL RIGHTS RESERVED.

| LOC | | DIST | | REVISIONS | | | |
|-----|-----|-------------|--|-------------|-----|------|--|
| P | LTR | DESCRIPTION | | DATE | DWN | APVD | |
| J | | | | | | | |
| | | | | SEE SHEET 1 | | | |

SHOWN: -3

FIBER CART FOR JACKETED CABLE

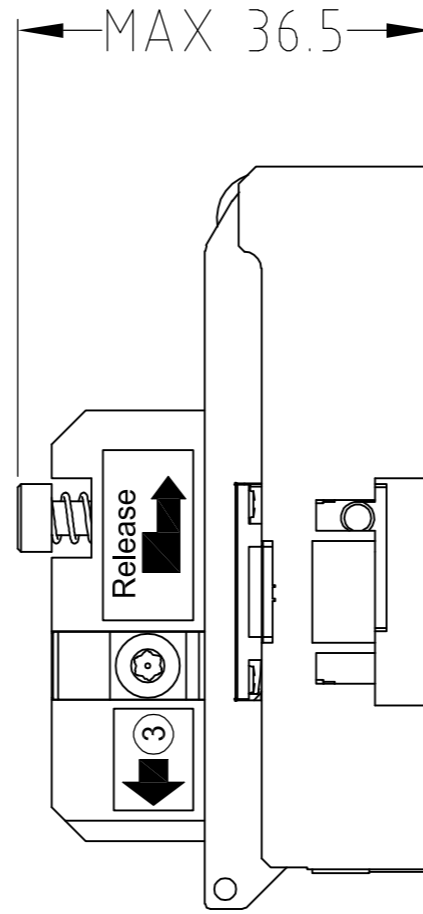
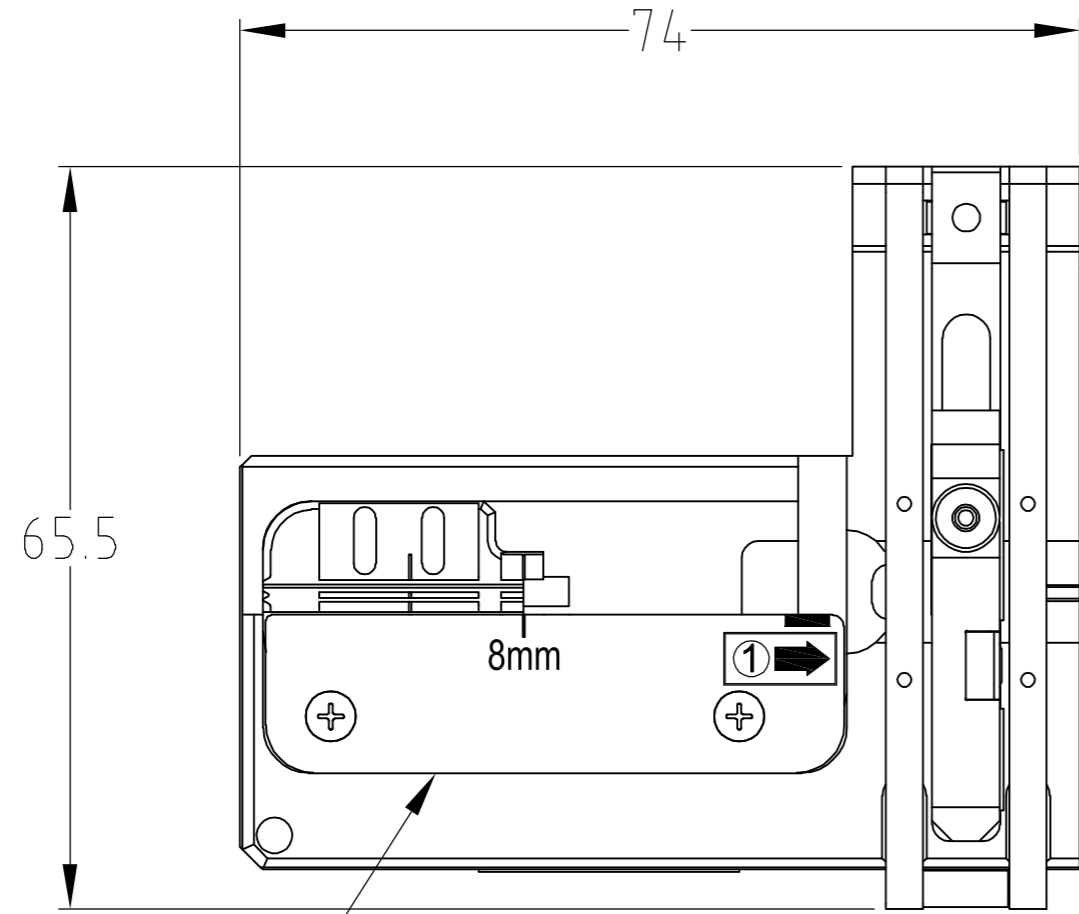


| | | | | |
|--|--|-------------------------|--|--|
| THIS DRAWING IS A CONTROLLED DOCUMENT. | | DWN S.KOBAYASHI 07JUL05 | tyco Tyco Electronics AMP K.K. | |
| DIMENSIONS: mm | | CHK T.HAYASHI 07JUL05 | Electronics Kawasaki, Japan | |
| TOLERANCES UNLESS OTHERWISE SPECIFIED: | | APVD T.HAYASHI 07JUL05 | NAME FIBER CLEAVER | |
| 0 PLC ± | | PRODUCT SPEC | SIZE A2 CAGE CODE 00779 DRAWING NO C=1871696 RESTRICTED TO | |
| 1 PLC ± | | APPLICATION SPEC | SCALE NTS SHEET 3 OF 4 REV D | |
| 2 PLC ± | | WEIGHT | | |
| 3 PLC ± | | CUSTOMER DRAWING | | |
| 4 PLC ± | | | | |
| ANGLES ± | | | | |
| FINISH | | | | |

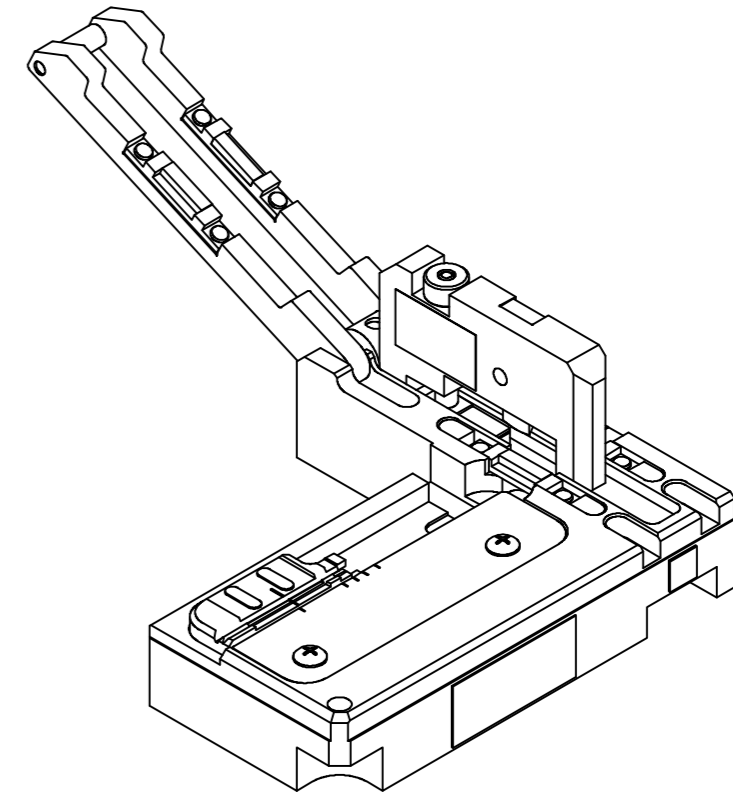
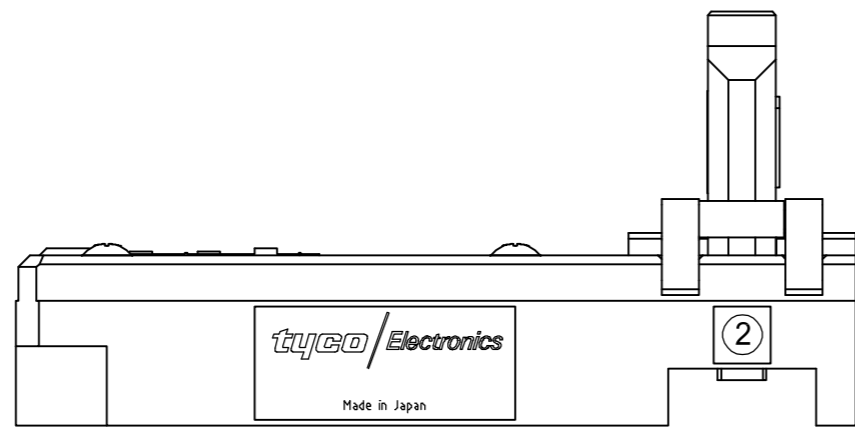
THIS DRAWING IS UNPUBLISHED. RELEASED FOR PUBLICATION JULY .7 .
 © COPYRIGHT 2005 BY TYCO ELECTRONICS CORPORATION. ALL RIGHTS RESERVED.

| LOC | | DIST | | REVISIONS | | | |
|-----|-----|-------------|------|-----------|------|--|--|
| P | LTR | DESCRIPTION | DATE | DWN | APVD | | |
| | | SEE SHEET 1 | | | | | |

SHOWN: -4



8mm MARK SCALE PLATE



1871696

| | | | | | | | | |
|--|--|------------------|---------------|-----------|--|---|-----|---|
| THIS DRAWING IS A CONTROLLED DOCUMENT. | | DWN | S.KOBAYASHI | 07JUL05 | Tyco Electronics AMP K.K. Kawasaki, Japan | | | |
| DIMENSIONS: | | CHK | T.HAYASHI | 07JUL05 | | | | |
| mm | TOLERANCES UNLESS OTHERWISE SPECIFIED: | APVD | T.HAYASHI | 07JUL05 | | | | |
| | 0 PLC ± | NAME | T.HAYASHI | | | | | |
| | 1 PLC ± | PRODUCT SPEC | FIBER CLEAVER | | | | | |
| | 2 PLC ± | APPLICATION SPEC | | | | | | |
| | 3 PLC ± | SIZE | A2 | CAGE CODE | 00779 | | | |
| | 4 PLC ± | DRAWING NO | C=1871696 | | | | | |
| | ANGLES ± | RESTRICTED TO | | | | | | |
| | FINISH ± | SCALE | NTS | | | | | |
| MATERIAL | | WEIGHT | | | | | | |
| | | CUSTOMER DRAWING | SHEET | 4 | OF | 4 | REV | D |